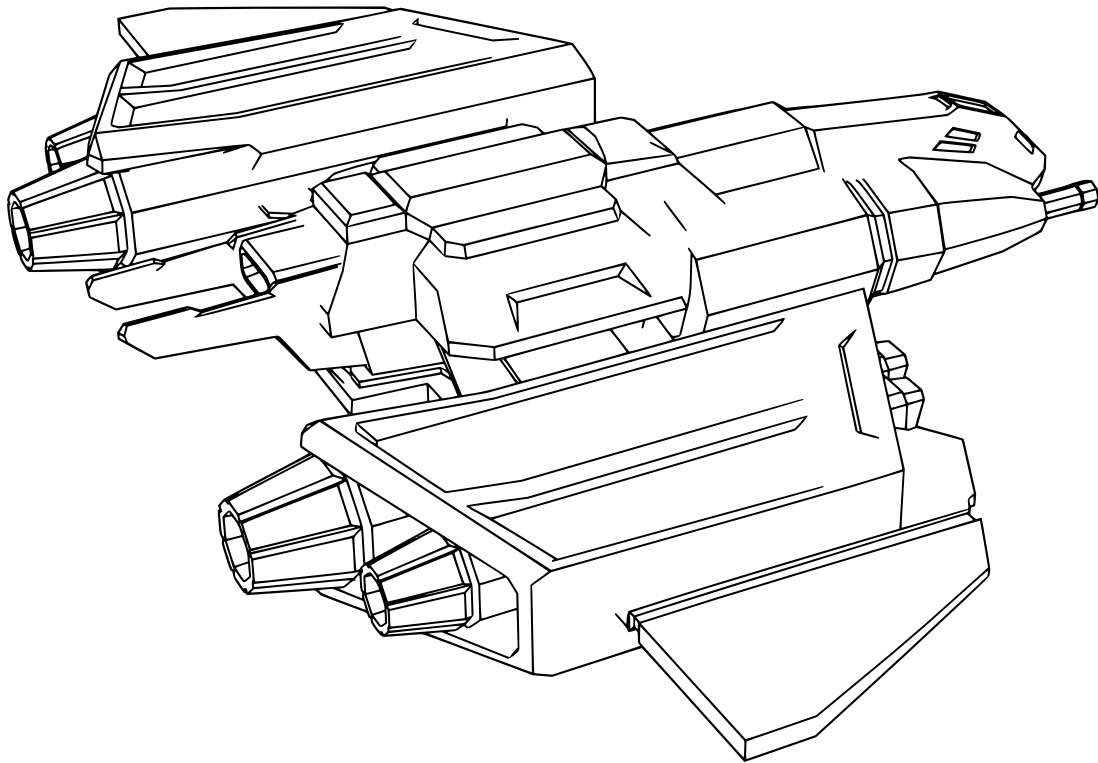


FIRMAMENTUM



Subtoll Development