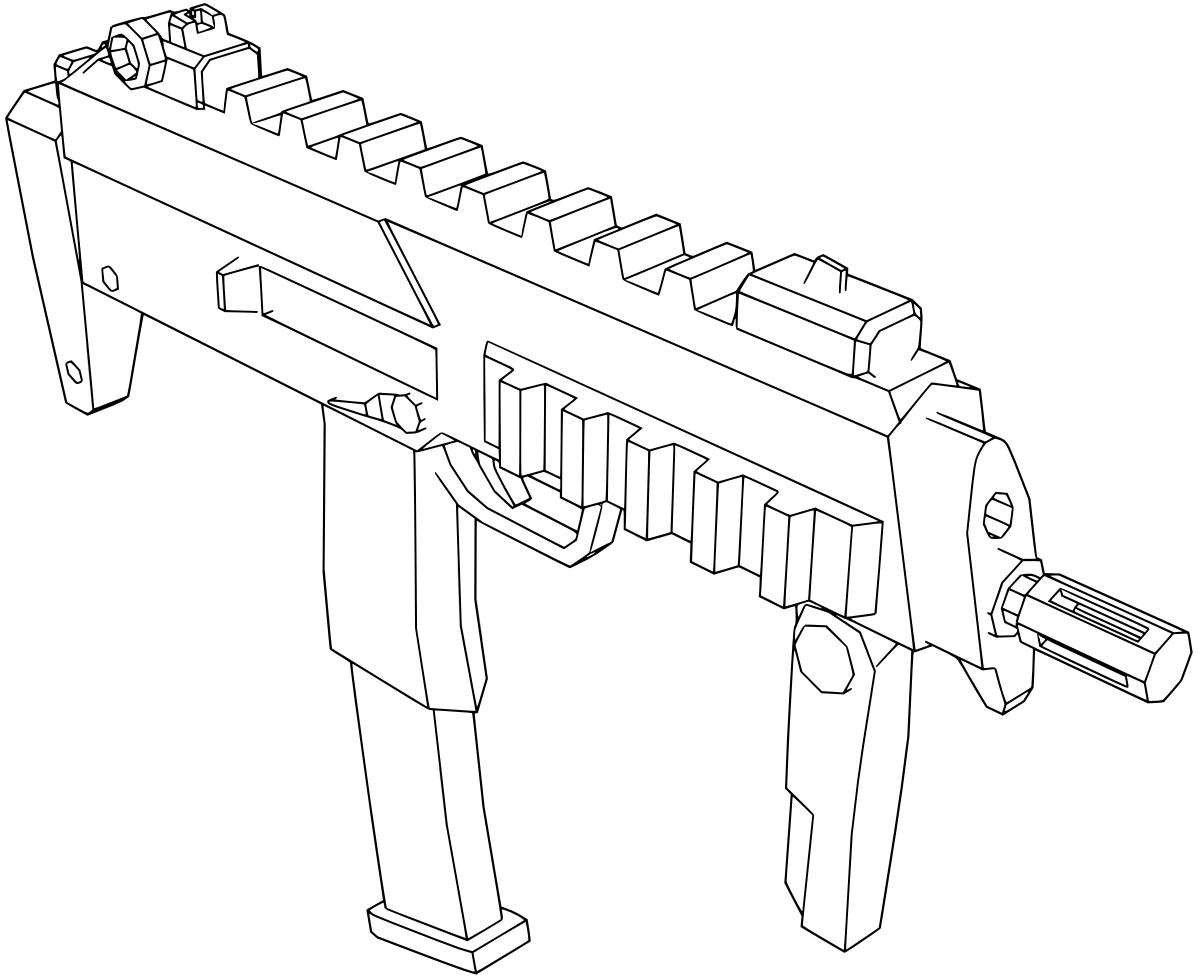


FIRMAMENTUM



Subotell Development